

## Stoebich Fire & Smoke Curtain S

The room creating textile fire protection closure that goes around the corner

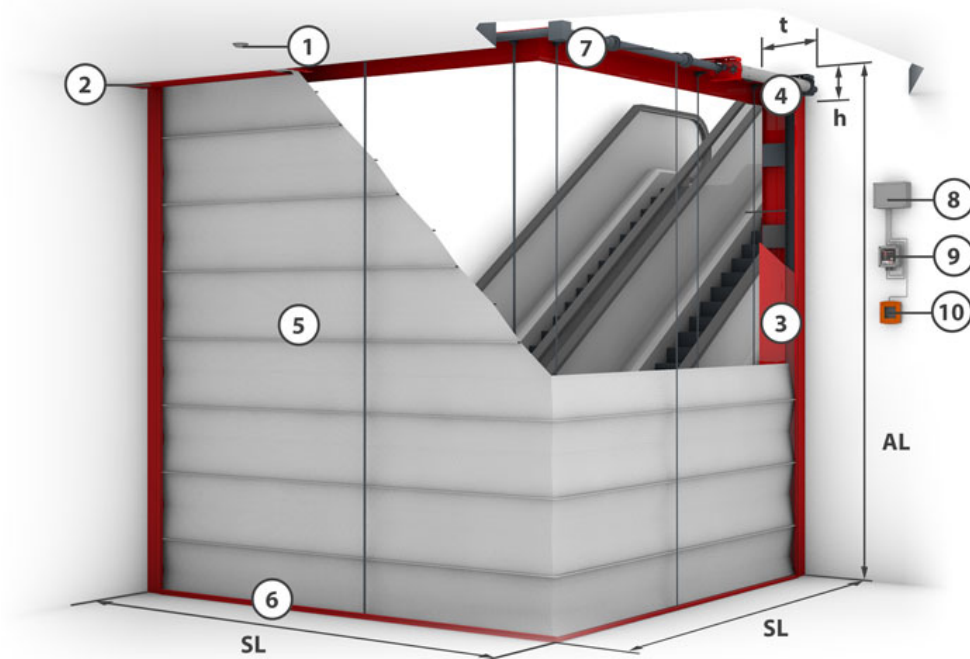
---

<b>construction type</b>	textile fire protection curtain	<b>closing direction</b>	from top to bottom
<b>executable protection target</b>	EW 90	<b>fire resistant</b>	2 hours fire rating according to UL 10D, 20 minutes fire rating according to UL 10B, UL 10C, NFPA 252
<b>fabric</b>	Fire & Smoke Fabric E • Stoebich Fire & Smoke Fabric H	<b>closing cycle</b>	C1 number of closing cycles 500
<b>proof</b>	IBS 08062416 • UL 10D • UL 10 (b) (2009) • UL 10 (c) (2009) • UL 10 (d) (2009) • NFPA 252 (2012)		

---

## Constructive structure (system drawing)

Gewebe	Systemumfang	Abrolllänge (AL)	t	h
Ecotex 1100 A2	< 50 m	< 3 m	490 mm	125 mm
Ecotex 1100 A2	< 50 m	> 3 m - ≤ 6 m	490 mm	225 mm
Heliotex EW 90	< 50 m	< 2,2 m	490 mm	125 mm
Heliotex EW 90	< 50 m	> 2,2 m - ≤ 2,5 m	490 mm	225 mm
Heliotex EW 90	< 50 m	> 4,5 m - ≤ 6 m	490 mm	450 mm



1 = Smoke detector

2 = Casing

3 = Side guides

4 = Tubular motor

5 = Fabric

6 = Closing element

7 = Coil

8 = Control module

9 = Control with operating unit

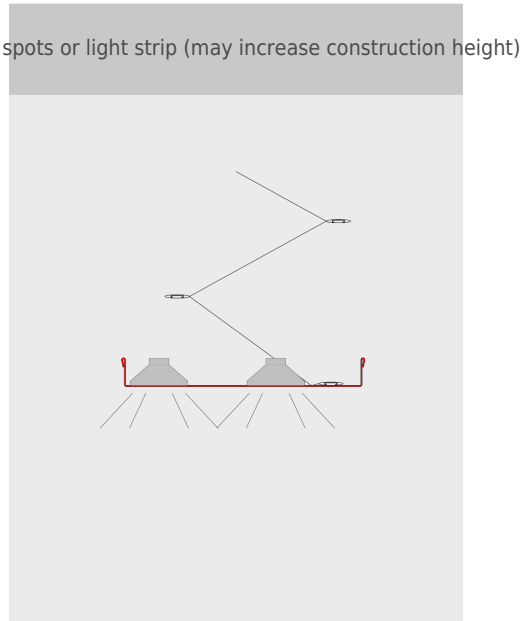
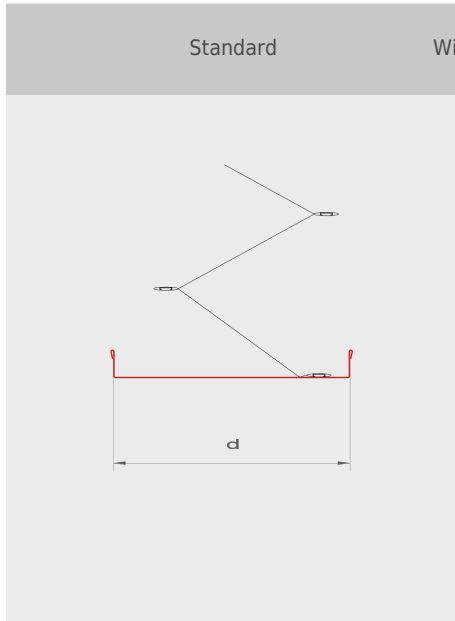
10 = Manual release

SL = System length

## bottom bar

Standard

Special



## housing

### Standard

Housing (open)

**h** = 125 mm    **d** = 290 mm  
**t** = 490 mm

Housing (closed)

**h** = 125 mm    **d** = 290 mm  
**t** = 490 mm

## housing

### Special

Housing EI (open)

**h** = 240 mm    **d** = 560 mm  
**t** = 600 mm

Housing EI (closed)

**h** = 240 mm    **d** = 560 mm  
**t** = 600 mm

Optional with locking equipment

**h** = 125 mm  
**d** = 290 mm  
**t** = 490 mm  
**S** = Infrarot Sicherung

## side guides

